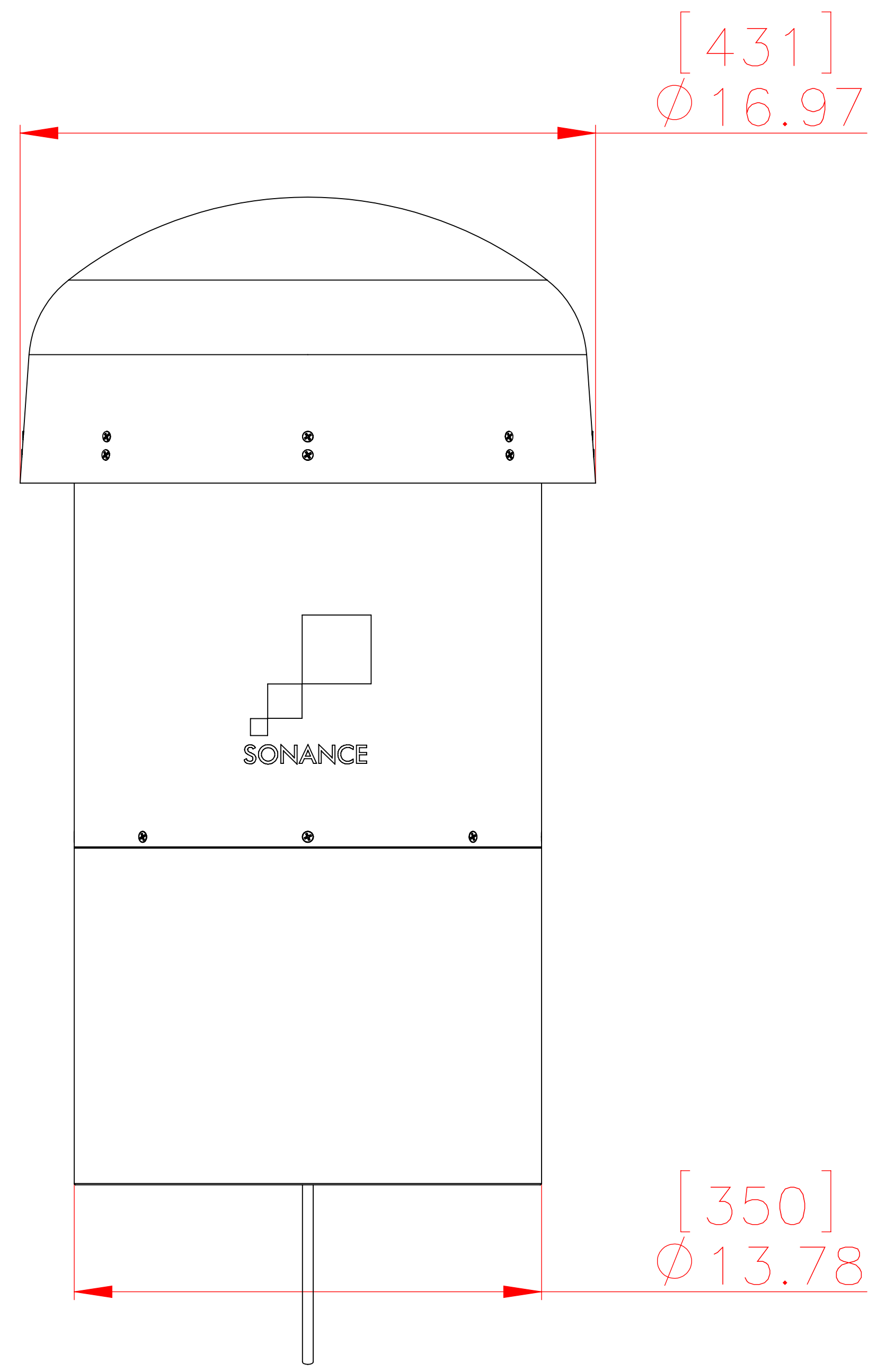
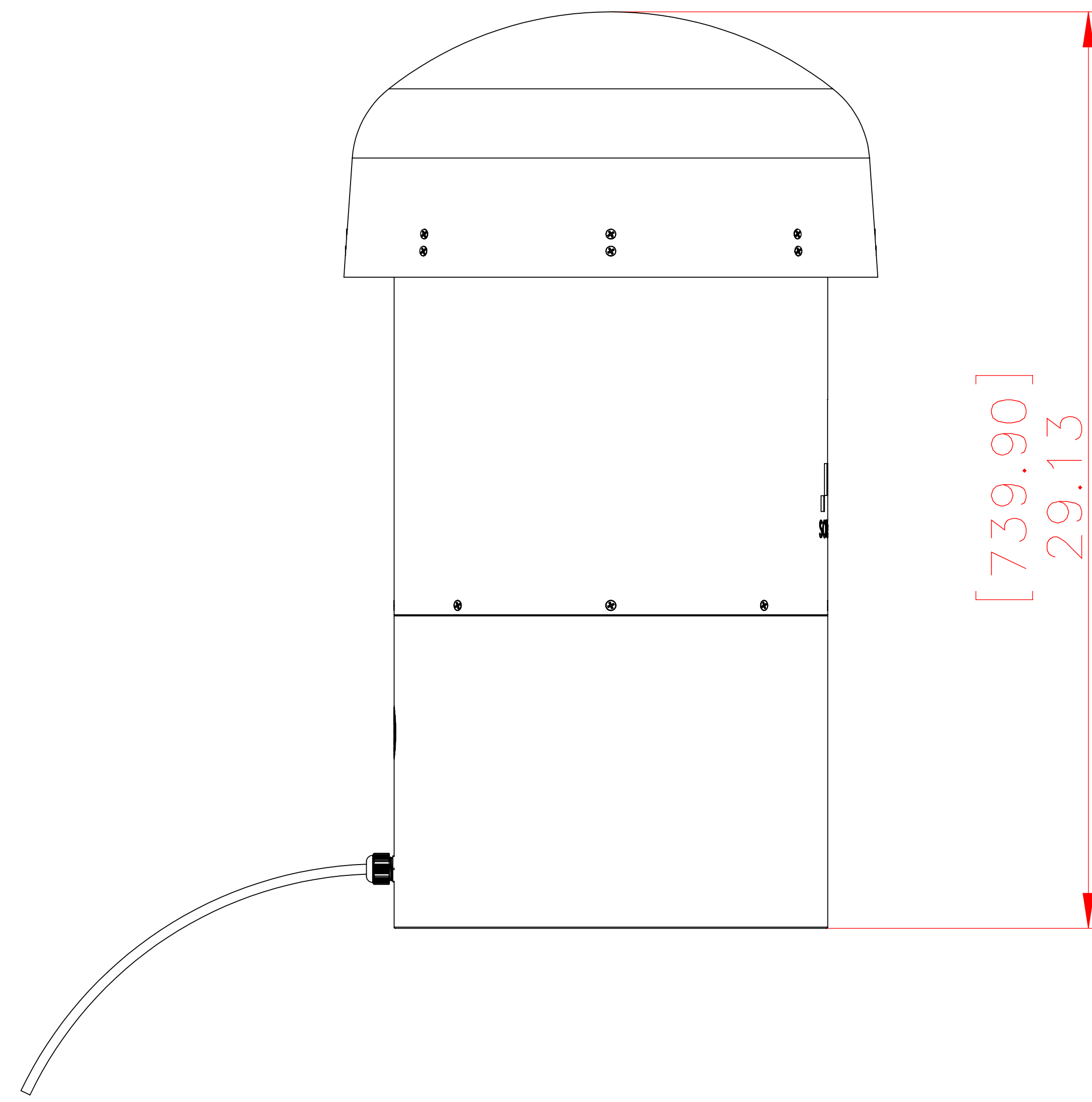


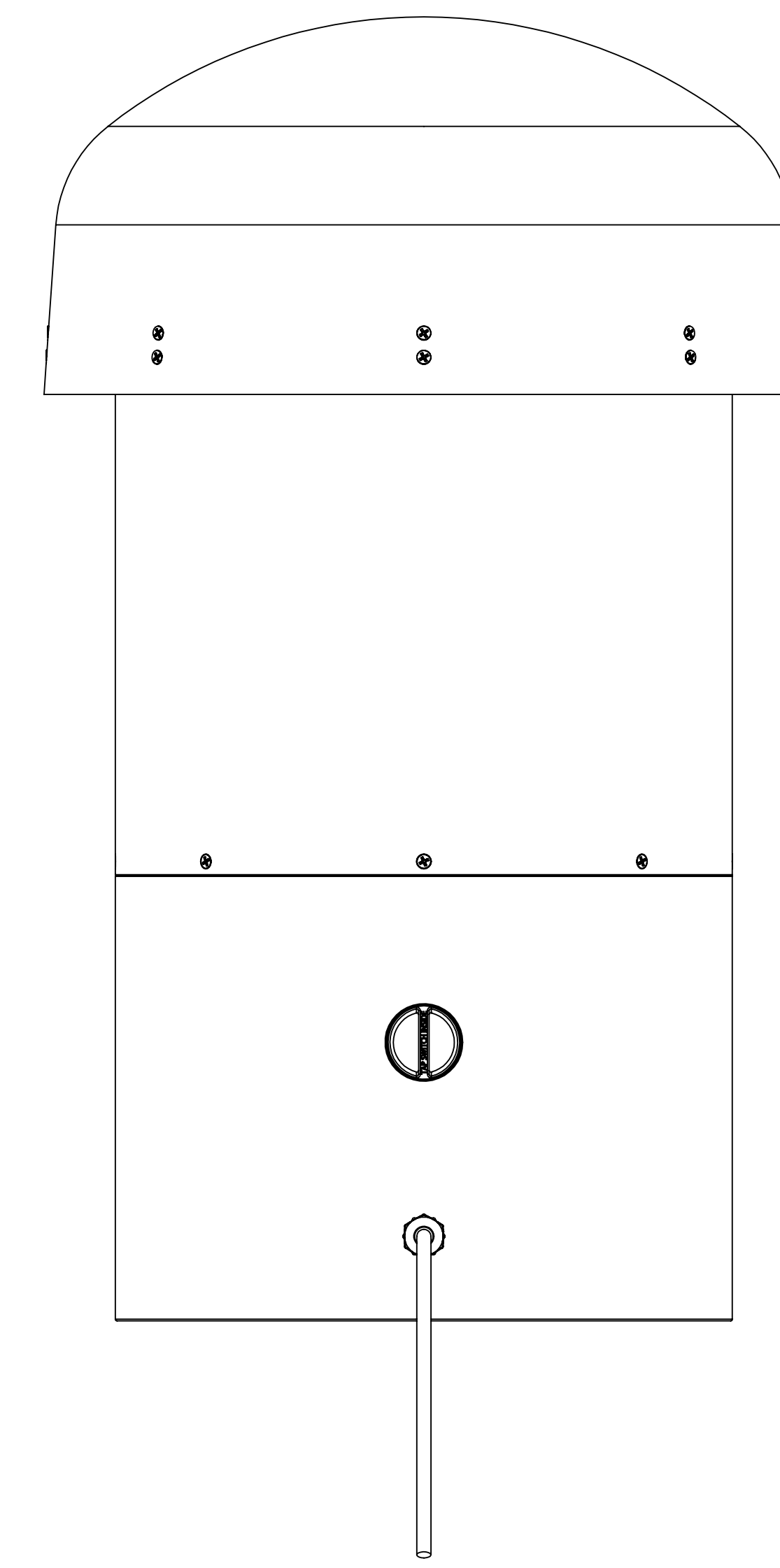
FRONT



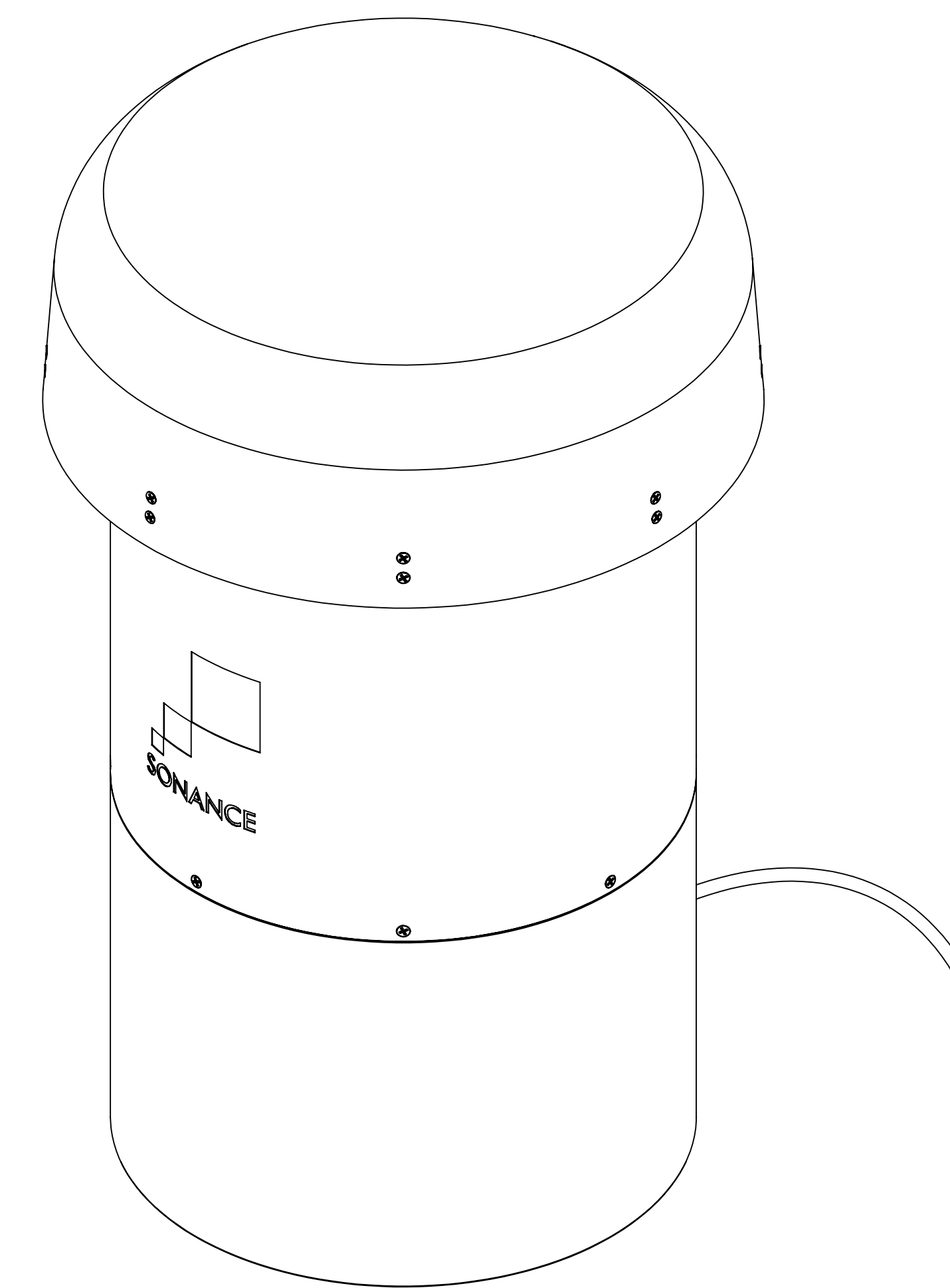
LEFT



BACK



ISOMETRIC



SONANCE
 991 Calle Amanecer, San Clemente, CA, 92673
 949 492-7777 FAX 949 361-5579
 www.sonance.com

LS12T SUB

SCALE: 1 : 3

SHEET: 01 OF

DRAWN BY:

RELEASED (IN):

DRWN - PART NUMBER

REV.